



3812 Hawthorn Court
Waukegan, IL 60087

Phone: 847-672-4578
Fax: 224-399-9199
Web: www.eco-led.com

Specifications

Product name: REMOTE LED DIMMER

Part number: DIM3CH

Picture:



Tech Specs

Working temperature: -20-60

Supply voltage: DC12V

Product size: L130XW40XH51 mm

Net weight: 95g

Supply voltage: DC12V

Output: 3 channels

Max load current: 3A each color

Function: can achieve stepless dimming

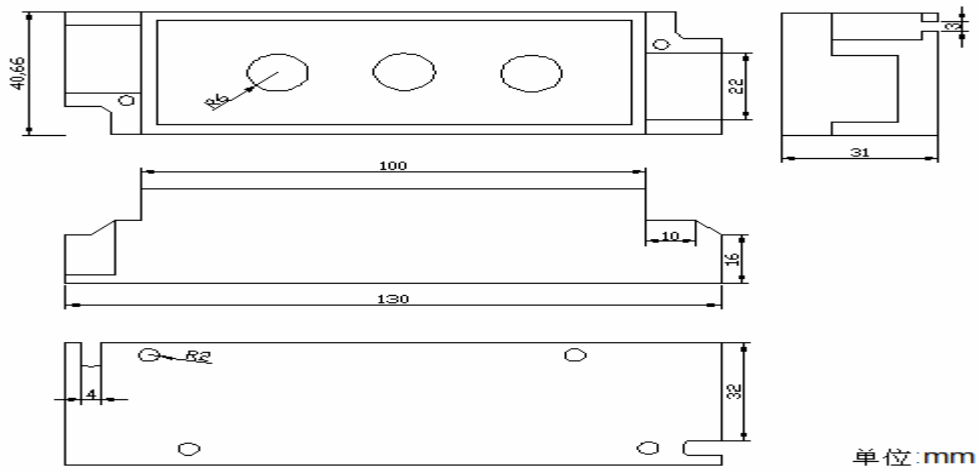
Warning

Supply voltage of this product is DC12V; never connect to DC24V or AC220V

Never connect two wires directly in case of short circuit.

Lead wire should be connected correctly according to colors that connecting diagram offers.
 Warranty of this product is one year, in this period we guarantee replacement or repairing with no charge, but exclude the artificial situation of damaged or overload working.

External Dimension:



Application Diagram

