



LED ACCESSORIES SERIES

3812 Hawthorn Court
Waukegan, IL 60087

Phone: 847-672-4578
Fax: 224-399-9199
Web: www.eco-led.com

Specifications

Product name: REMOTE LED DIMMER

Part number: RFD3B-1CH

Picture:



Summarization

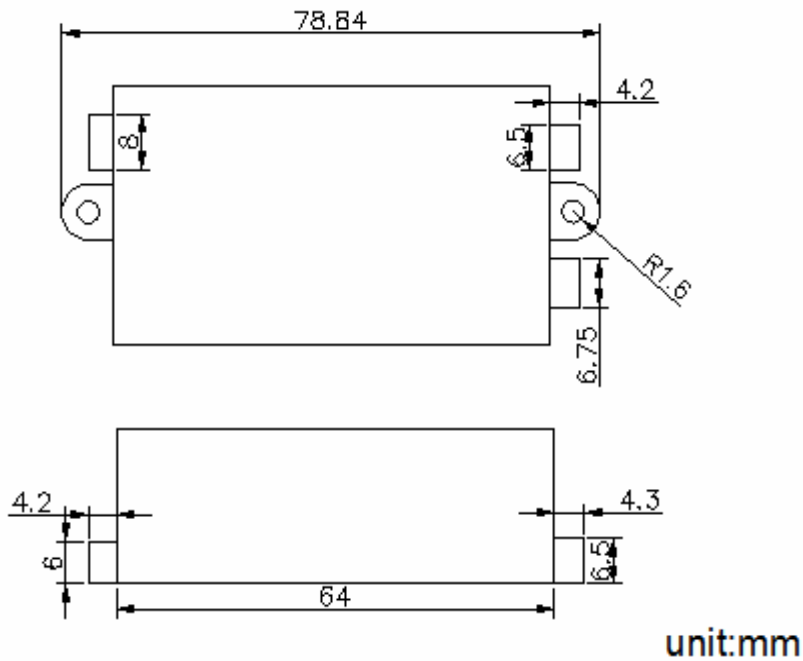
RF dimmer is a controller that can adjust brightness infinitely, its control mode is wireless control, you could adjust light to the appropriate lighting brightness in accordance with your actual need.

Technical parameters

- working temperature: -20-60 °C
- supply voltage: DC5V, 12V, 18V, 24V < optional > (supply voltage should be marked on order)
- output: 1 channel
- net weight: 65g
- gross weight: 100g
- external dimension: L65 X W37 X H22 mm
- packing size: L95 X W63 X H65 mm
- rated load current: <8A

● output power: 96W

External Dimension



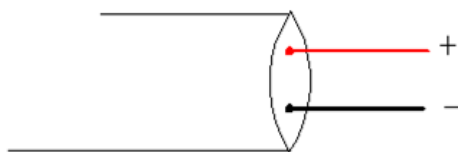
Interface Specifications

Power input interface:



Adopt conventional DC power transposon as power input interface.

Load output interface:



Adopt two sheath wires,remark: red wire→ + black wire→ -

Direction for use

1. Connect the load wire at first, following by the power wire. Please ensure short circuit can not occur between connecting wire before you turn on the power.
2. Adopt wireless control,its function as follows:
 - A is for increasing brightness,
 - B key is for reducing brightness.

Typical Applications

