

LED ACCESSORIES SERIES

3812 Hawthorn Court
Waukegan, IL 60087

Phone: 847-672-4578
Fax: 224-399-9199
Web: www.eco-led.com

Specifications

Product name: DMX Signal Transmitter

Part number: SNL-96CH

Picture:



Summarization

DMX Editor is one of the basic product platform in our company, supporting the use of another product of our company---DMX receiver module, according to the custom IC, it also can fulfil some functions such as jumpy changing, gradual changing, horse racing, run after and so on.

Technical parameters

- working temperature: -20-60°C
- supply voltage: DC12V
- supporting number of the maximum channels: 96
- external dimension: L224xW128xH37 mm
- packing size: L230xW180xH55 mm
- net weight: 755g

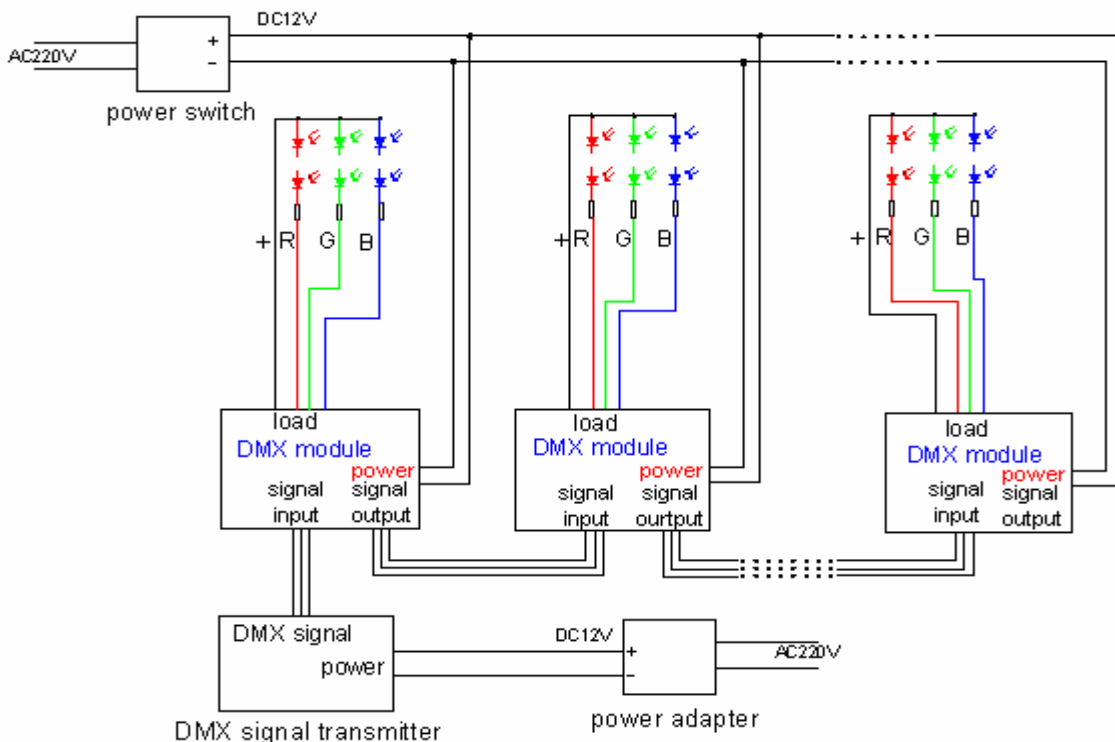
Direction for Use

1. Adopt button control, each button function as the following shows: Mode button: mode selection.
Para button: choose parameter (this controller has only one parameter: speed) Up(+) button: to increase speed.
Down(-) button: to decrease speed.
2. The form of color changes as follows:

Mode Map

No	Mode	Functions	Remarks
1	0_Black	Static black	
2	1_Static_Red	Static red	
3	2_Static_Green	Static green	
4	3_Static_Yellow	Static yellow	
5	4_Static_Blue	Static blue	
6	5_Static_Purple	Static purple	
7	6_Static_Cyan	Static cyan	
8	7_Static_White	Static white	
9	8_Color_Change	Jumpy changing	
10	9_Run_After	Run after	
11	10_Grual	Gradual changing	
12	11_L_H_Racing	Horse race lamp to left	
13	12_R_H_Racing	Horse race lamp to right	
14	13_Flowing	Running form	
15	14_AutoPlay	Automatic circulation 1~14	

Typical Application



Remark: each DMX module occupied 3 channels, DMX module's ID value should be edited follow the law of 1,4,7,10,13.